

Q-Model Series 420 Ice Cube Machine



- Up to 530 lbs. (241 kgs.) daily ice production
- Only 22" (55.88 cm) wide
- Stainless steel exterior with the fit and finish of an appliance
- Rugged, corrosion-free base
- Patented cleaning and sanitizing technology
- New batch water system delivers better ice cube formation
- R-404A CFC-free refrigerant
- Warranty
 - 5-year parts and 5-year labor coverage on ice machine evaporator
 - 5-year parts and 3-year labor coverage on ice machine compressor
 - 3 year parts-and-labor coverage on all other ice machine, dispenser, and storage bin components

Q-Model Series 420
Ice Machine on S-420 Bin



ISO 9001
Quality
System
Certified

THE RIGHT CLIMATE FOR LEADERSHIP

 **Manitowoc**[®]

Manitowoc Q-Model 420 Series

A seamless blend of thoughtful design, new technology and rugged construction.
 Produces up to 530 lbs. (241 kgs.) of ice per 24 hours.

Model	Cube size	Ice production 24 hours		Power kWh/100 lbs.
		lbs.	kgs.	
QR-0420A	regular	355	161	7.7
QR-0421W	regular	410	186	5.9
QD-0422A	dice	380	173	7.2
QD-0423W	dice	440	200	5.5
QY-0424A	half-dice	380	173	7.2
QY-0425W	half-dice	440	200	5.5
Water usage/100 lbs./45.4 kgs. of ice				
Potable Water: 26.4 gallons, 99.93 liters				
Water-cooled Condenser: 177 gallons, 670 liters				

- Order ice storage bin separately.
- "A" or "W" following model number indicates "Air" or "Water" condensing unit.



Certified and Rated in Accordance with ARI Standard 810-95

Test conditions for standard ratings are 90° F air, 70° F water, and 30 ± 3 psig water inlet pressure.

Ice Machine Electric

115/60/1. (208-230/60/1 and 230/50/1 also available, consult factory.)

Minimum circuit ampacity:

Air-cooled — 12.3 amps. Water-cooled — 11.4 amps.

Maximum fuse size: Air and Water-cooled — 20 amps.

HACR-type circuit breakers can be used in place of fuses.

Specifications

BTU Per Hour:

7,000 (average) 9,600 (peak)

Compressor:

Nominal rating: 3/4 HP

Cupra-Nickel Condenser:

(Water-cooled models)

Adds protection from corrosive water elements.

Operating Limits:

- Ambient Temperature Range: 35°-110°F (1.7°-43.3°C)

- Water Temperature Range: 33°-90°F (0.6°-32.2°C)

Water Pressure Ice Maker

Water In:

Min. 20 psi (137.9 kPa)

Max. 80 psi (551.1 kPa)

Condenser Inlet Water In:

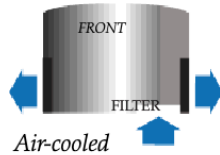
(Water cooled only)

Min. 20 psi (137.9 kPa)

Max. 150 psi (1,034.2 kPa)



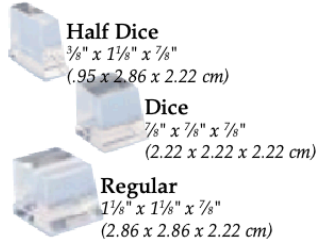
Air Flow Top View



AuCS® Accessory



3 Cube Sizes to Choose From



24-HOUR PRODUCTION + lbs./kgs.							
AIR-COOLED UNIT				WATER-COOLED UNIT			
air temp	water temp			air temp	water temp		
°F	50°	70°	90°	°F	50°	70°	90°
°C	10°	21°	32°	°C	10°	21°	32°
20°	530	480	440	70°	520	460	420
71°	241	218	200	21°	236	209	191
80°	480	430	400	80°	510	450	410
27°	218	195	182	27°	232	204	186
90°	430	380	350	90°	500	440	400
32°	195	173	159	32°	227	200	182

†Production for Dice and Half Dice cubes. Regular cube is 7% less than chart and kWh/100 lbs. increases 7%.

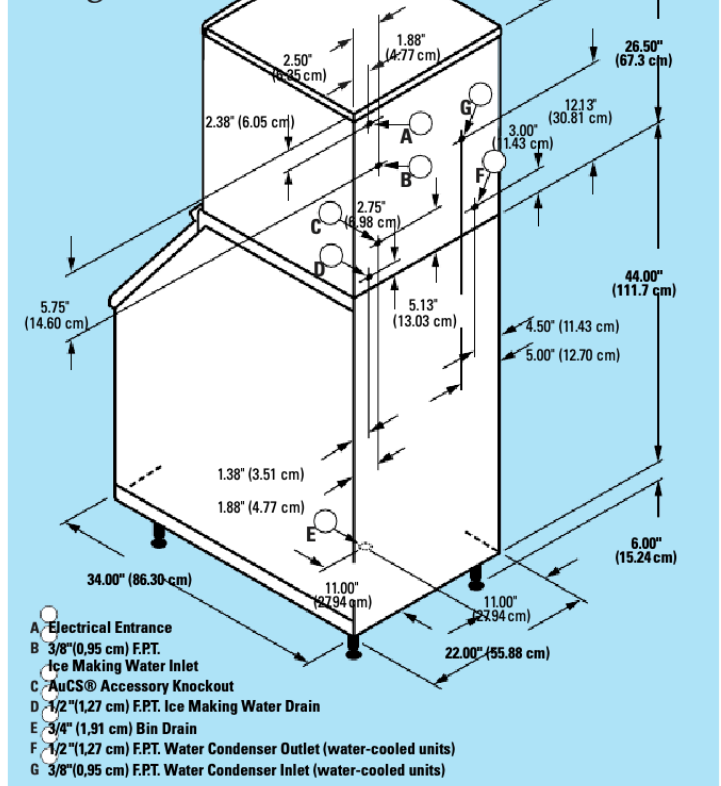
Space-Saving Designs



	Q-420 S-420	Q-420 S-400*
Height	76.50" 194.31 cm	64.50" 163.83 cm
Width	22.00" 55.88 cm	30.00" 76.20 cm
Depth	34.00" 86.30 cm	34.00" 86.30 cm
Bin Storage	310 lbs. 140.7 kgs.	290 lbs. 131.7 kgs.

Height includes adjustable bin legs 6.00" to 7.00" (15.24 to 17.78 cm) set at 6.00" (15.24 cm). For comparison purposes multiply ARI capacity by 1.3 (30%) to arrive at approximate "Application Rating Capacity."
 *K-00141 bin adapter required.

Q-420 on S-420 Storage Bin



Installation Note - Minimum Installation Clearance: Top/Sides are 8" (20.32 cm), Back is 5" (12.7 cm).

THE RIGHT CLIMATE FOR LEADERSHIP

Consult your local Manitowoc Representative:

Manitowoc Ice, Inc.
 2110 South 26th Street, P.O. Box 1720 • Manitowoc, WI 54221-1720, USA
 Ph: 920-682-0161 • Fax: 920-683-7589 • Web Site: www.manitowocice.com

